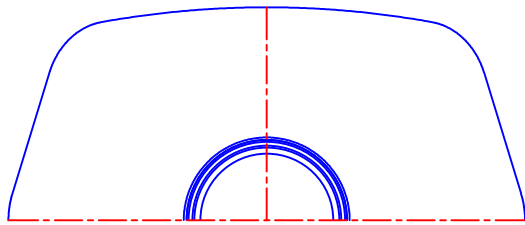
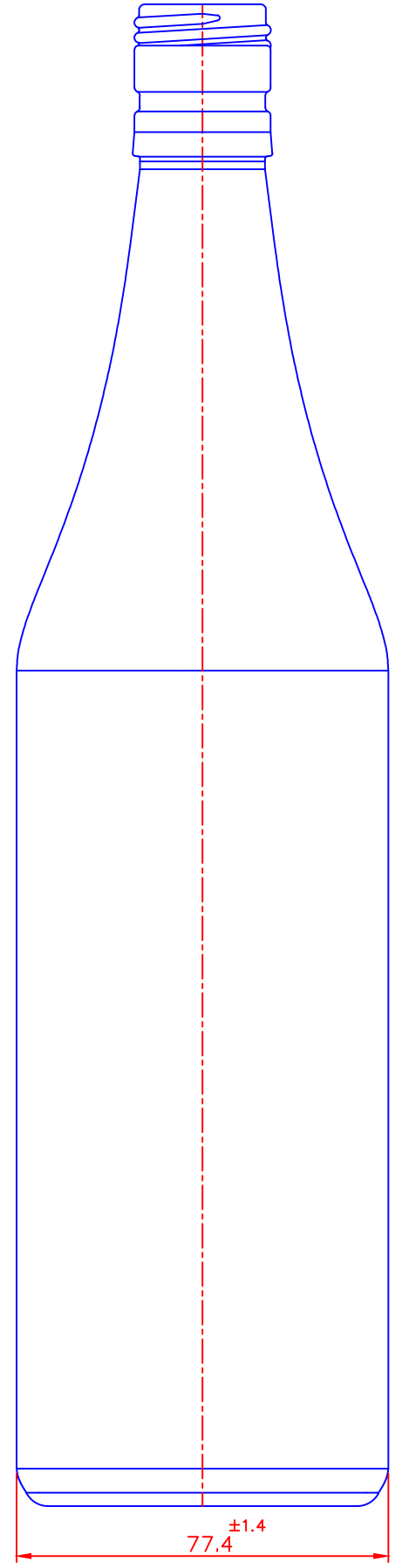
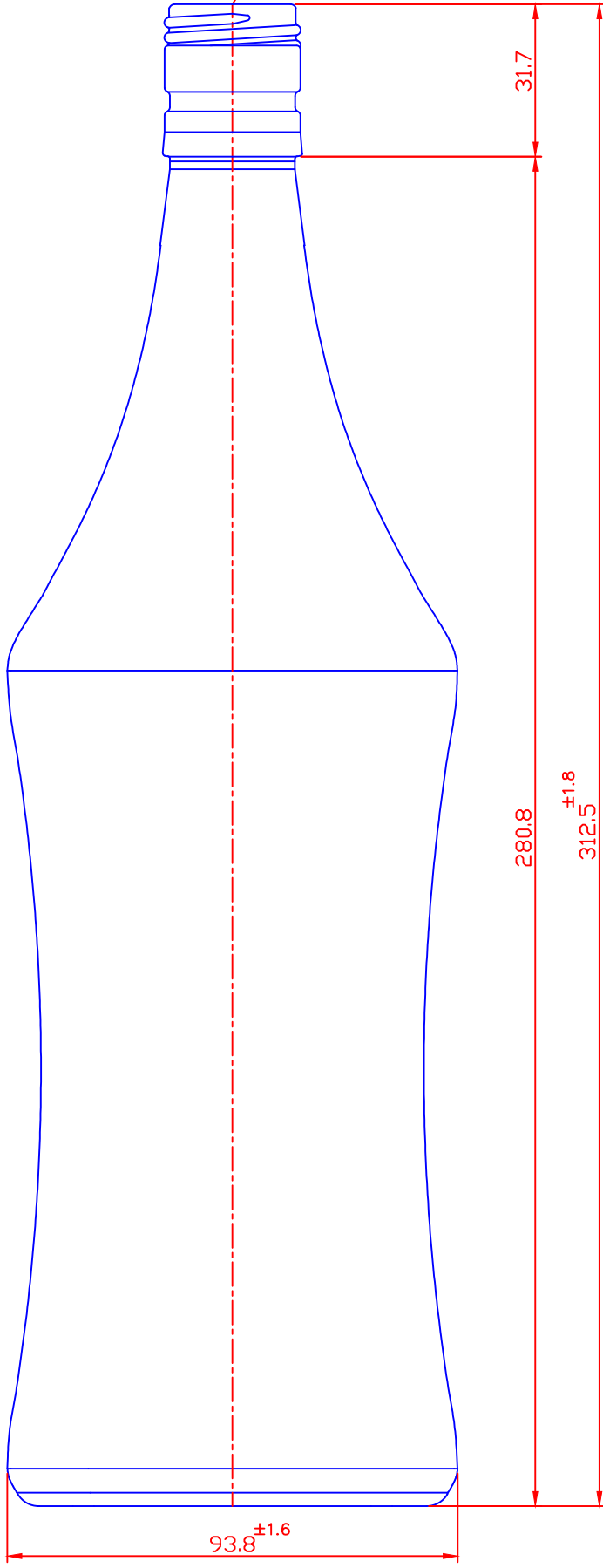


30mm. C.Y. P.P.
TS 3258/2



111 411 1000

Tarih/Date:
Onay/Customer Approval:

REV NO	AÇIKLAMALAR-EXPLANATIONS	TARİH DATE	YAPAN MADE BY	KONTROL CH'K'D BY
	 Marmara Cam Sanayi A.Ş.	ÇİZEN-DRAWN BY KONTROL-CH'K'D BY TARİH-DATE	CEM AYDEMİR EMRAH OKTAYKAN 26.11.2010	DOLU HACMI FILLING CAP. cc. 1000 ±10 SİLME HACMI BRIMFULL CAP. cc. 1030 ±10 AĞIRLIK-WEIGHT gr. ~560
ÖLÇEK SCALE: 1/1	IS	ALTI KÖŞE ŞİŞE		KALIP NO-MOULD NO: 01M1282-01 ÜRÜN NO-PRODUCT NO: 111 4 11 1000